

LCM Specification

Preliminary specification

Final Specification

Project No. 项目编号	TFT-H043A8WVIST3C30_V5 (CTP 不带LOGO/G+G)
Customer 客户名称	
Module No. 客户型号	
Product type 产品内容	TFT LCD Module 480 x 3RGB x 800 Dots 4.3" TFT LCD

Signature by customer:

客户确认签章:

<input type="checkbox"/> Trial production		<input type="checkbox"/> Mass production	
编 制	电子审核	结构审核	批 准
Liu. YL			

深圳市鑫洪泰电子科技有限公司

Shenzhen Hot Display Technology Co., Ltd

www.hotlcd.com 优质源于专业 EXCELLENT QUALITY BASED ON PROFESSION

**1 Document revision history :**

DOCUMENT REVISION	DATE	DESCRIPTION	PREPARED BY	APPROVED BY
0	2020-11-13	First Release.	Liu.YL	
1	2020-12-23	Change product thickness	Liu.YL	





1. General Feature:

Item	Standard Value	Unit
Display Size	4.3"	--
Number of Pixels	480(H)x3(RGB)*800(V)	--
Active Area	56.16(H) *93.60(V)	mm
LCM Outline Dimension	60.86(H) ×102.57(V)× 2.10(D)<Exclude CTP> 67.00(H) ×116.24(V)×3.85(D)<Include CTP>	mm
Viewing Direction	Full O'clock	-
LCM Interface	MIP1 2L	-
LCM Driver IC	ST7701S	-
Display colors	16.7M	-
LCM Driver Voltage	IOVCC=1.8V,VCI=3.3V (Type)	V
Backlight	White LED	-
Touch Panel	CTP Touch Panel	-
CTP Driver IC	GT911	-
CTP Driver Voltage	2.8-3.3V	V
CTP I/O Digital Voltage	1.8V	V
Operation Temperature	-20~60	°C
Storage Temperature	-30~80	°C



HOTHMI

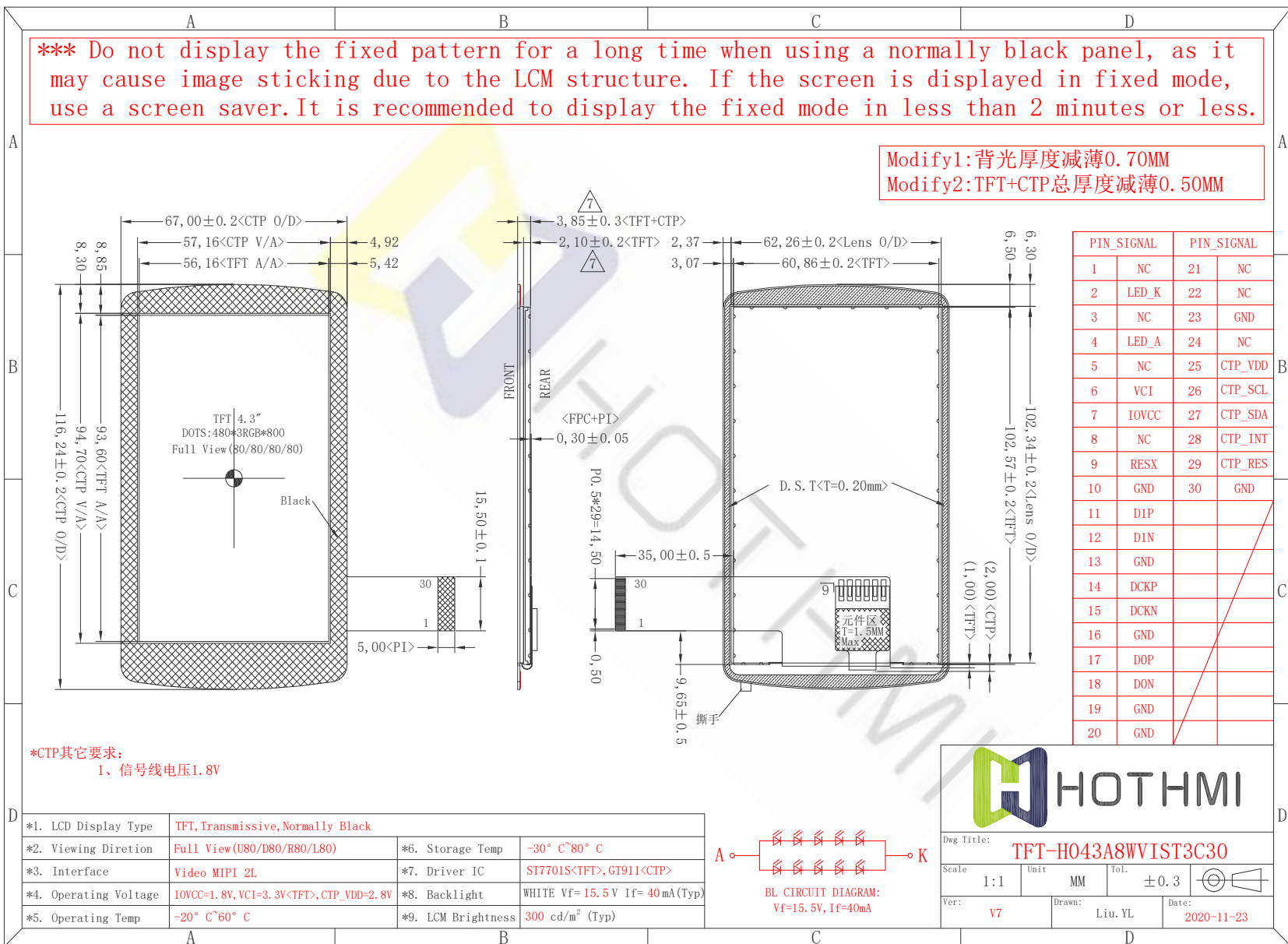
Shenzhen Hot Display Technology Co., Ltd

TFT-H043A8WV1ST3C30

Rev:1

2020年12月23日

2.Outline Dimensions





3. Pin Description

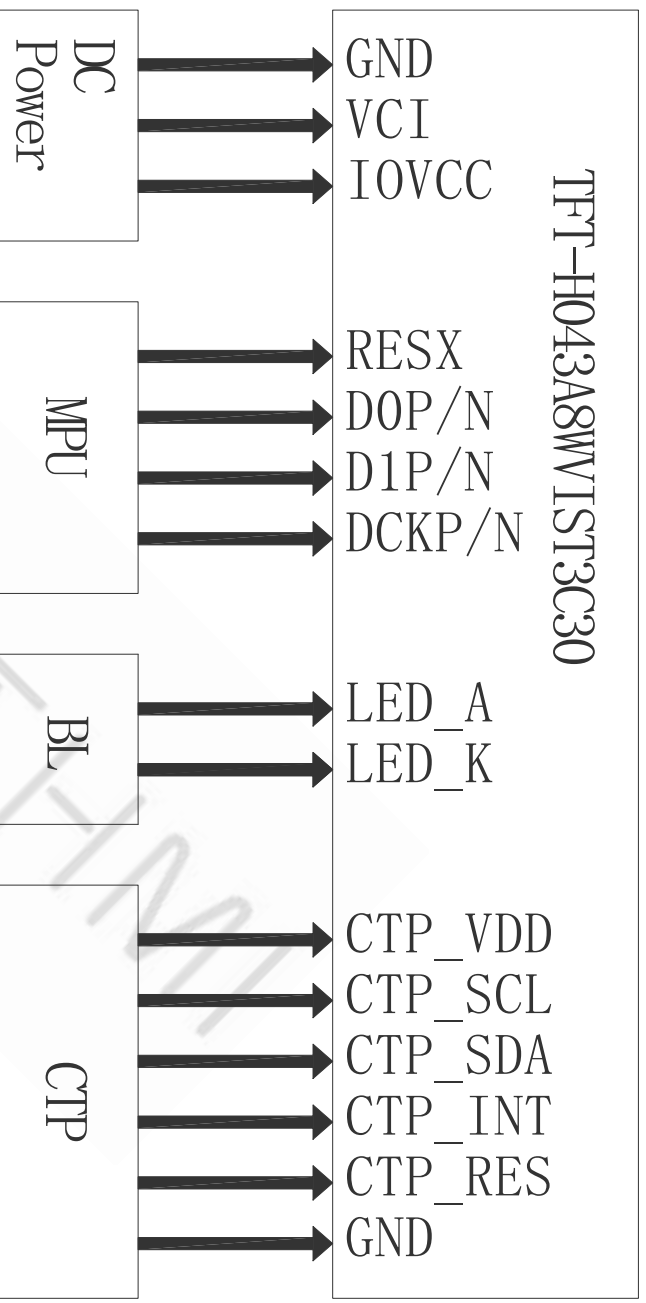
3.1 Pin Description

Pin NO.	Symbol	Description
1	NC	No Connect
2	LED_K	LED Cathode
3	NC	No Connect
4	LED_A	LED Anode
5	NC	No Connect
6	VCI	Analog Power
7	IOVCC	Power Supply for I/O System
8	TE/NC	No Connect
9	RESX	TFT Reset Pin
10	GND	Ground
11	D1P	MIPI DSI positive differential data
12	D1N	MIPI DSI negative differential data
13	GND	Ground
14	DCKP	MIPI DSI positive differential clock
15	DCKN	MIPI DSI negative differential clock
16	GND	Ground
17	D0P	MIPI DSI positive differential data
18	D0N	MIPI DSI negative differential data
19	GND	Ground
20	GND	Ground
21	NC	No Connect
22	NC	No Connect
23	GND	Ground
24	NC	No Connect
25	CTP_VDD	CTP Power supply
26	CTP_SCL	CTP I2C clock signal
27	CTP_SDA	CTP I2C data signal
28	CTP_INT	CTP Interrupt signal
29	CTP_RES	CTP System reset
30	GND	Ground

---END---



3.2 Wiring Diagram





4. Electrical Characteristics

4-1 TFT LCD Module Operating Conditions

Item	Symbol	Condition	Min	Type	Max	Unit
Interface logic circuits	IOVCC	-	1.65	1.80	3.60	V
Analog Power supply	VCI	-	2.60	2.80	3.60	V
TFT Gate on voltage	VGH	-	10.0	12.0	16.0	V
TFT Gate off voltage	VGL	-	-15.0	-12.0	-10.0	V

4-2 LED back light specification (pera chip)

Item	Symbol	Condition	Min	Type	Max	Unit
Forward voltage	Vt	If=20mA	14.0	15.5	17.0	V
Forward current	Ipn	/1-chip	-	40	-	mA
Luminance(With LCD)	Lv	If=40mA	200	300	-	cd/m ²
Luminous color			White			

4-3 CTP Operating Conditions

Item	Symbol	Condition	Min	Type	Max	Unit
Power Supply Voltages	VDD	-	2.50	2.80	3.60	V
I/O Digital Voltage	IOVDD	-	-	1.80	-	V
Operating Temperature	Topr	-	-20	-	60	°C
Storage Temperature	Tstg	-	-30	-	80	°C



4. OPTICAL SPECIFICATION

4.1 Overview

The test of Optical specifications shall be measured in a dark room (ambient luminance Lux and temperature = 25 ± 2°C) with the equipment of Luminance meter system (Goniometer system and TOPCON BM-5) and test unit shall be located at an approximate distance 50cm from the LCD surface at a viewing angle of θ and Φ equal to 0°. The center of the measuring spot on the Display surface shall stay fixed. The backlight should be operating for 30 minutes prior to measurement.

4.2 Optical Specifications

Parameter	Symbol	Condition	Min.	Typ.	Max.	Unit	Remark
Viewing Angle Range	Horizontal	CR>10	⊕ L	-	80	-	Deg.
			⊕ R	-	80	-	Deg.
	⊕ U		-	80	-	Deg.	
	Vertical	⊕ = 0°	⊕ D	-	80	-	Deg.
Contrast ratio	CR		1000	1500	-		Note2
Color Gamut	CG		65	70	-	%	
White Chromaticity	Wx	⊕ = 0°	-	0.299	-		
	Wy		-	0.324	-		
	Rx		-	0.645	-		
Reproduction of color	Red	Ry	-	0.319	-		Note4
		Gx	-	0.271	-		(Based on C
	Green	Gy	-	0.594	-		on C
		Bx	-	0.138	-		Light)
Blue	By	-	0.098	-			
	Response Time (Rising + Falling)	⊕ = 0° Ta= 25°C	-	35	40	ms	Note5
Transmittance	Tr		-	4.35		%	Note3

Note:

- Viewing angle is the angle at which the contrast ratio is greater than 10. The viewing angles are determined for the horizontal or 3, 9 o' clock direction and the vertical or 6, 12 o' clock direction with respect to the optical axis which is normal to the LCD surface (see FIGURE 1).
- Contrast measurements shall be made at viewing angle of $\theta = 0$ and at the center of the LCD surface. Luminance shall be measured with all pixels in the view field set first to white, then to the dark (black)



state . (see FIGUR 1) Luminance Contrast Ratio (CR) is defined mathematically.

$$CR = \frac{\text{Luminance when displaying a white raster}}{\text{Luminance when displaying a black raster}}$$

3. Transmittance is the Value without APF and without CG.
4. The color chromaticity coordinates specified in the above table shall be calculated from the spectral data measured with all pixels first in red, green, blue and white. Measurements shall be made at the center of the panel.
5. The electro-optical response time measurements shall be made as FIGURE 2 by switching the

“data” input signal ON and OFF. The times needed for the luminance to change from 10% to 90% is T_r , and 90% to 10% is T_f .

Figure1 Measurement Set Up

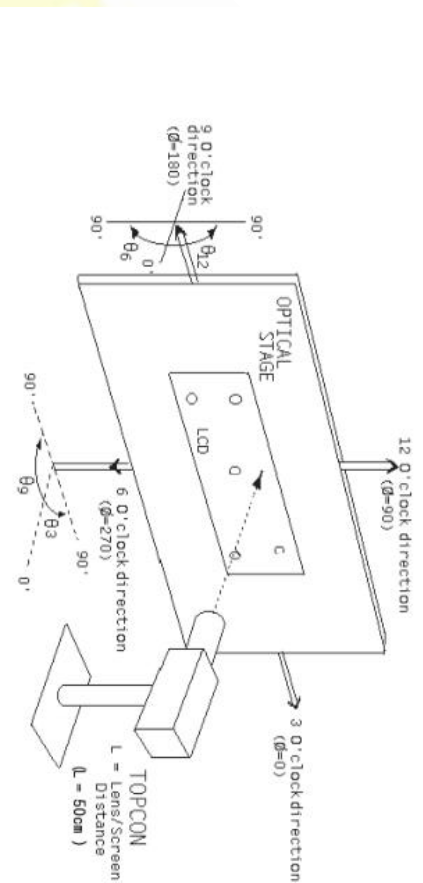
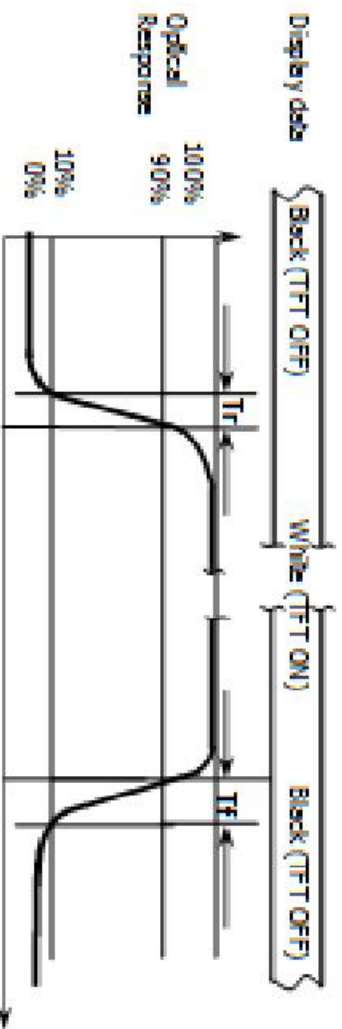


Figure2 Response Time Testing



6. Timing Characteristics of Input Signals

6-1 High Speed Mode

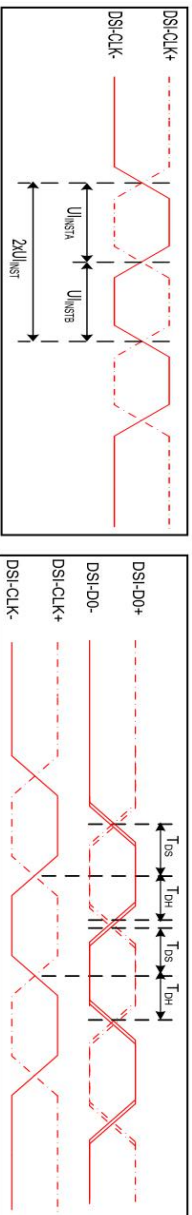


Figure 4 DSI clock channel timing

$VDD=1.8, VDD=2.8, AGND=DGND=0V, Ta=25^{\circ}C$

Signal	Symbol	Parameter	MIN	MAX	Unit	Description
DSI-CLK+/-	$2xUI_{INSTA}$	Double UI instantaneous	4	25	ns	
DSI-CLK+/-	UI_{INSTA} UI_{INSTB}	UI instantaneous halves	2	12.5	ns	$UI = UI_{INSTA} = UI_{INSTB}$
DSI-Dn+/-	tDS	Data to clock setup time	0.15	-	UI	
DSI-Dn+/-	tDH	Data to clock hold time	0.15	-	UI	

6-2 Low Power Mode

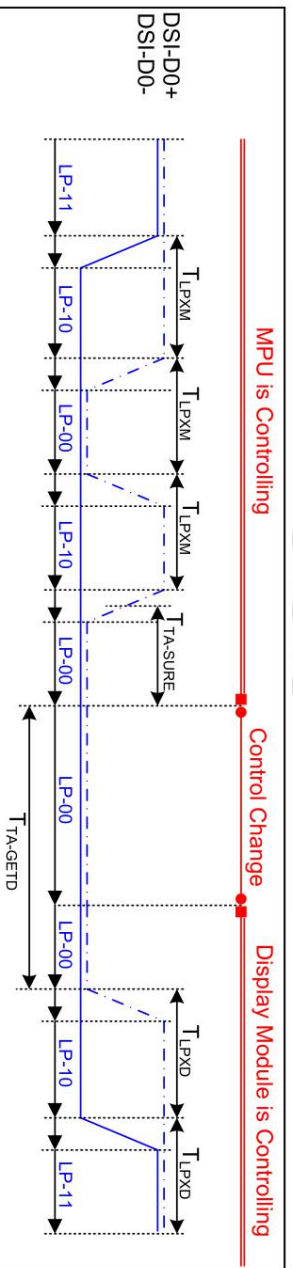


Figure 6 Bus Turnaround (BTA) from display module to MPU Timing

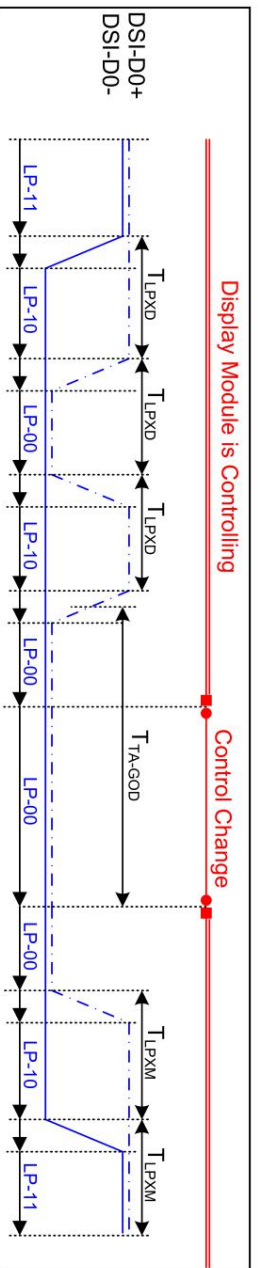


Figure 7 Bus Turnaround (BTA) from MPU to display module Timing



Signal	Symbol	Parameter	MIN	MAX	Unit	Description
DSI-D0+/-	TLPXM	Length of LP-00,LP-01, LP-10 or LP-11 periods MPU→Display Module	50	75	ns	Input
DSI-D0+/-	TLPXD	Length of LP-00,LP-01, LP-10 or LP-11 periods MPU→Display Module	50	75	ns	Output
DSI-D0+/-	TTA-SURED	Time-out before the MPU start driving	T_{LPXD}	$2 \times T_{LPXD}$	ns	Output
DSI-D0+/-	TTA-GETD	Time to drive LP-00 by display module	$5 \times T_{LPXD}$		ns	Input
DSI-D0+/-	TTA-GOD	Time to drive LP-00 after turnaround request-MPU	$4 \times T_{LPXD}$		ns	Output

6-2 DSI Bursts Mode

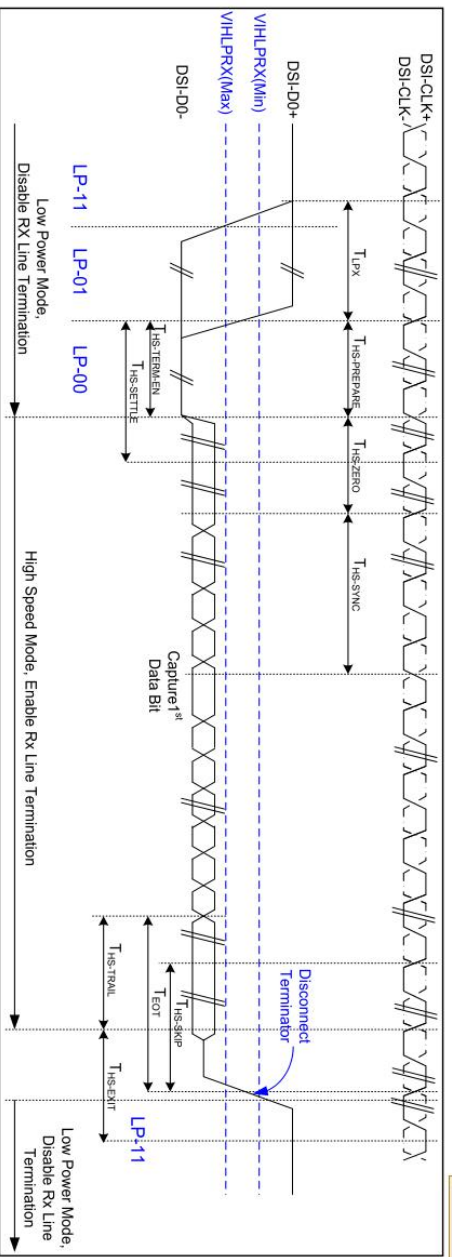


Figure 7 Data lanes-Low Power Mode to/from High Speed Mode Timing

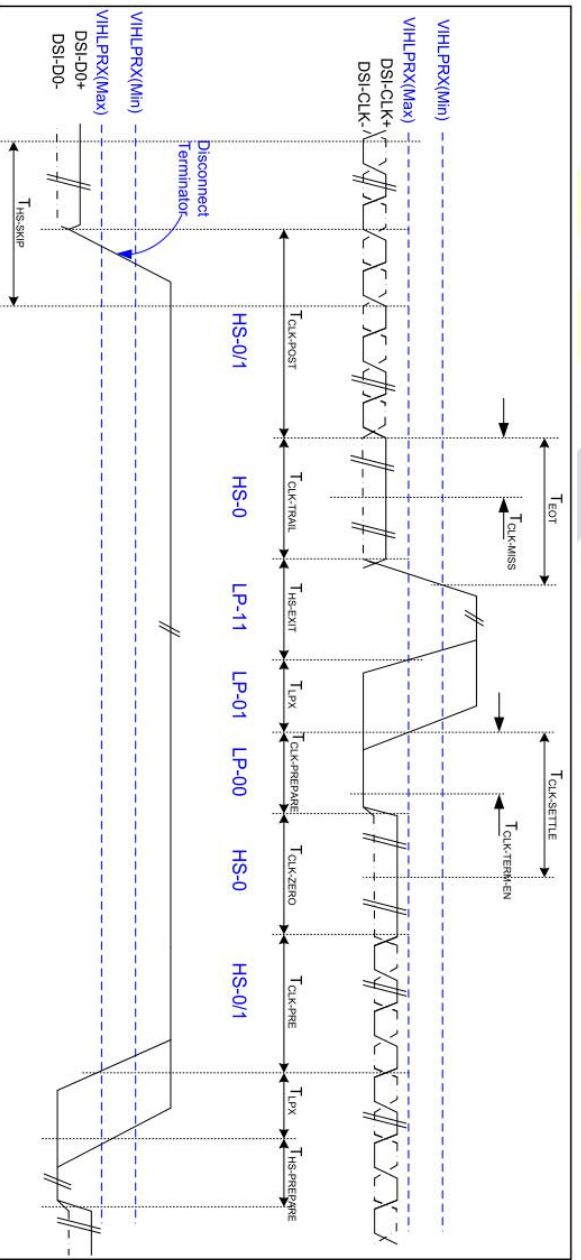


Figure 8 Clock lanes- High Speed Mode to/from Low Power Mode Timing



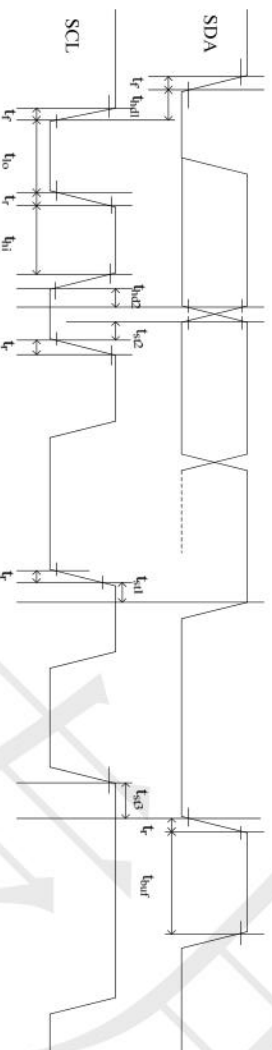
VDD1=1.8, VDD=2.8, AGND=DGND=0V, Ta=25 °C

Signal	Symbol	Parameter	MIN	MAX	Unit	Description
Low Power Mode to High Speed Mode Timing						
DSI-Dn+/-	TLPX	Length of any low power state period	50	-	ns	Input
DSI-Dn+/-	THS-PREPARE	Time to drive LP-00 to prepare for HS transmission	40+4 UI	85+6 UI	ns	Input
DSI-Dn+/-	THS-TERM-EN	Time to enable data receiver line termination measured from when Dn crosses VILMAX	-	35+4 UI	ns	Input
DSI-Dn+/-	THS-PREPARE + THS-ZERO	THS-PREPARE + time to drive HS-0 before the sync sequence	140+ 10UI	-	ns	Input
High Speed Mode to Low Power Mode Timing						
DSI-Dn+/-	THS-SKIP	Time-out at display module to ignore transition period of EoT	40	55+4 UI	ns	Input
DSI-Dn+/-	THS-EXIT	Time to drive LP-11 after HS burst	100	-	ns	Input
DSI-Dn+/-	THS-TRAIL	Time to drive flipped differential state after last payload data bit of a HS transmission burst	60+4 UI	-	ns	Input
High Speed Mode to/from Low Power Mode Timing						
DSI-CLK+/-	TCLK-POS	Time that the MPU shall continue sending HS clock after the last associated data lane has transition to LP mode	60+5 2UI	-	ns	Input
DSI-CLK+/-	TCLK-TRAIL	Time to drive HS differential state after last payload clock bit of a HS transmission burst	60	-	ns	Input
DSI-CLK+/-	THS-EXIT	Time to drive LP-11 after HS burst	100	-	ns	Input
DSI-CLK+/-	TCLK-PREPARE	Time to drive LP-00 to prepare for HS transmission	38	95	ns	Input
DSI-CLK+/-	TCLK-TERM-EN	Time-out at clock lan display module to enable HS transmission	--	38	ns	Input
DSI-CLK+/-	TCLK-PREPARE + TCLK-ZERO	Minimum lead HS-0 drive period before starting clock	300	-	ns	Input
DSI-CLK+/-	TCLK-PRE	Time that the HS clock shall be driven prior to any associated data lane beginning the transition from LP to HS mode	8UI	-	ns	Input
DSI-CLK+/-	TEOT	Time from start of TCLK-TRAIL period to start of LP-11 state	-	105n s+12 UI	ns	Input



6-3 CTP I2C Communication

GT911 提供标准的 I2C 通讯接口, 由 SCL 和 SDA 与主 CPU 进行通讯。在系统中 GT911 始终作为从设备, 所有通讯都是由主 CPU 发起, 建议通讯速度为 400Kbps 或以下。其支持的 I2C 硬件电路支持时序如下:



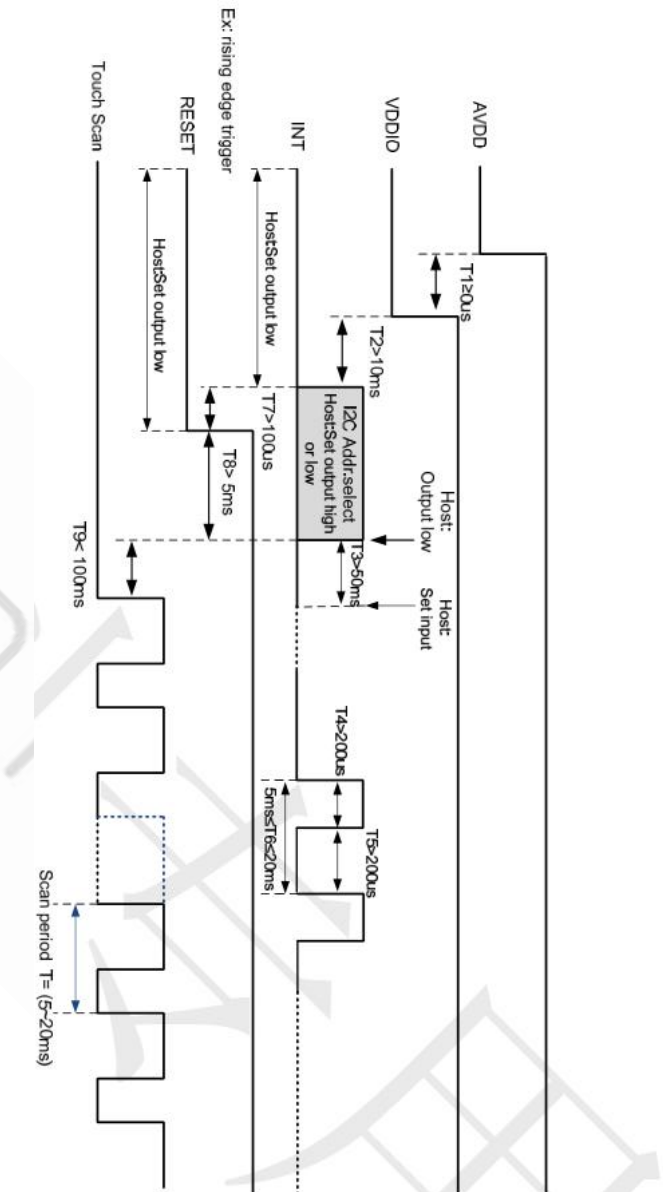
测试条件 1: 1.8V 通讯接口, 400Kbps 通讯速度, 上拉电阻 2K

Parameter	Symbol	Min.	Max.	Unit
SCL low period	t_{lo}	1.3	-	us
SCL high period	t_{hi}	0.6	-	us
SCL setup time for START condition	t_{sr1}	0.6	-	us
SCL setup time for STOP condition	t_{sr3}	0.6	-	us
SCL hold time for START condition	t_{hd1}	0.6	-	us
SDA setup time	t_{s2}	0.1	-	us
SDA hold time	t_{hd2}	0	-	us

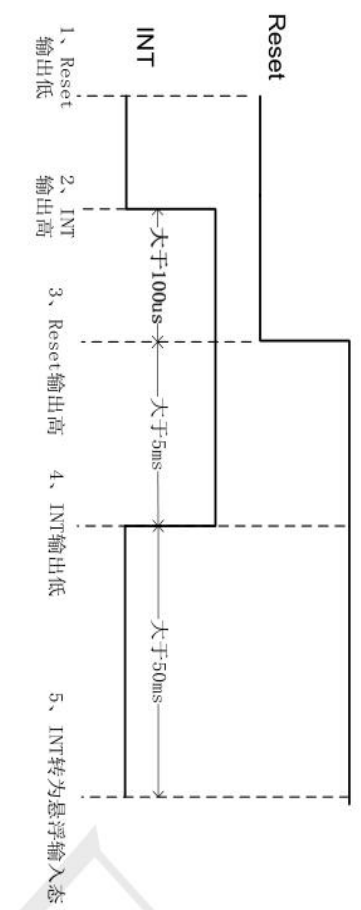


GT911 的 I2C 从设备地址有两组，分别为 0xBA/0xBB 和 0x28/0x29。主控在上电初始化时控制 Reset 和 INT 口状态进行设定，设定方法及时序图如下：

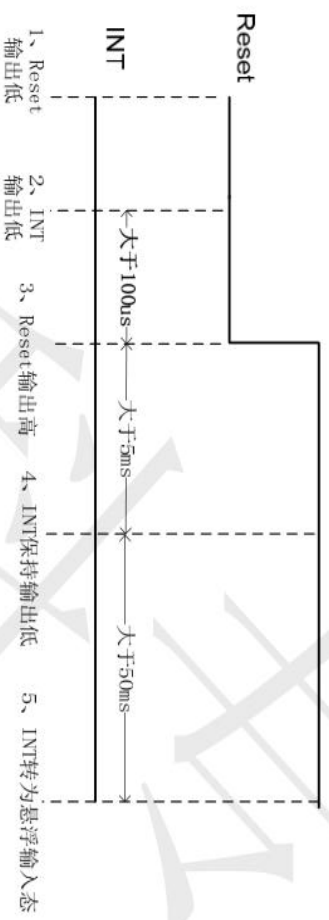
上电时序图：



设定地址为 0x28/0x29 的时序：



设定地址为 0xBA/0xBB 的时序：





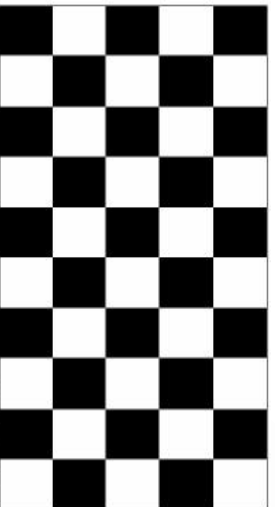
7. RELIABILITY TEST

7-1 Temperature and Humidity

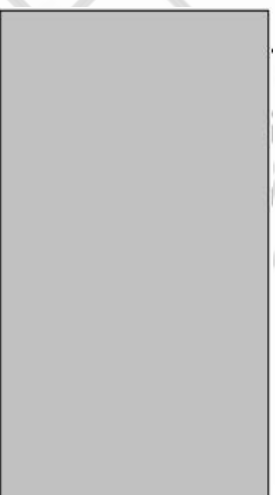
Test Item	Test Condition	Check Time
High Temp Storage	Ta= 80℃	120 hrs
Low Temp Storage	Ta= -30℃	120 hrs
High Temp Operation	Ta= 60℃	120 hrs
Low Temp Operation	Ta= -20℃	120 hrs
High Temp & High Humidity Operation	Ta=60℃ H=90%RH	120 hrs

Note: (1) Ta : Ambient temperature

- (2) All judgments of display are performed after temp of panel returns to room temperature
- (3) Display function should be no change under normal operating condition.
- (4) Under no condensation of dew
- (5)*INX only guarantee the above 5 test items. INX wouldn't guarantee the others not shown as the above ones..



(a) Test Pattern (chess board Pattern)



(b) Gray Pattern

7-2 Shock and Vibration

ITEMS	CONDITIONS
Packing Shock (Non-Operation)	<ul style="list-style-type: none"> ● Shock level:980m/s² ● Waveform:1/2 Sine wave,6msec ● ±X, ±Y ±Z,each axis 1 times
Packing Vibration (Non-Operation)	<ul style="list-style-type: none"> ● Frequency range:8-33.3HZ ● Stoke:1.0mm ● Sweep: 10Hz-50Hz ● x,y,z 2 hours for each direction

7-3 Electrostatic Discharge

TEST ITEM	CONDITIONS
ESD (Non-operation)	150pF,330Ω, Contact±4KV,Air :±8KV.Note 1 200pF,0Ω, ±200V Contact test.Note 2

Note:Measure Point:

- 1.LCD glass and metal bezel
- 2.I.F connector pins



8. HANDDLING & CAUTIONS

8-1 Caution For Operation

- ◆ Since the LCM is made of glass, do not apply strong mechanical impact or static load onto it. Handling with care since shock, vibration, and careless handling may seriously affect the product. If it falls from a high place or receives a strong shock, the glass may be broken.
- ◆ It is indispensable to drive the LCM within the specified voltage limit since the higher voltage than the limit causes LCM's life shorter. An electro-chemical reaction due to DC causes undesirable deterioration of the LCM so that the use of DC drive should avoid.
- ◆ Do not connect or disconnect the LCM to or from the system when power is on.
- ◆ Never use the LCM under abnormal conditions of high temperature and high humidity.
- ◆ When expose to drastic fluctuation of temperature(hot to cold or cold to hot), the LCM may be affected; specifically, drastic temperature fluctuation from cold to hot, produces dew on the LCM's surface which may affect the operation of the polarizer on the LCM.
- ◆ Response time will be extremely delay at lower temperature than the operating temperature range and on the other hand LCM may turn black at temperature above its operational range. However those phenomenon do not mean malfunction or out of order with the LCM. The LCM will revert to normal operation once the temperature returns to the recommended temperature range for normal operation.
- ◆ Do not display the fixed pattern for a long time when using a normally black panel, as it may cause image sticking due to the LCM structure. If the screen is displayed in fixed mode, use a screen saver. It is recommended to display the fixed mode in less than 2 minutes or less.
- ◆ Do not disassemble and/or re-assemble LCM module

7-2 Caution Against Static Charge

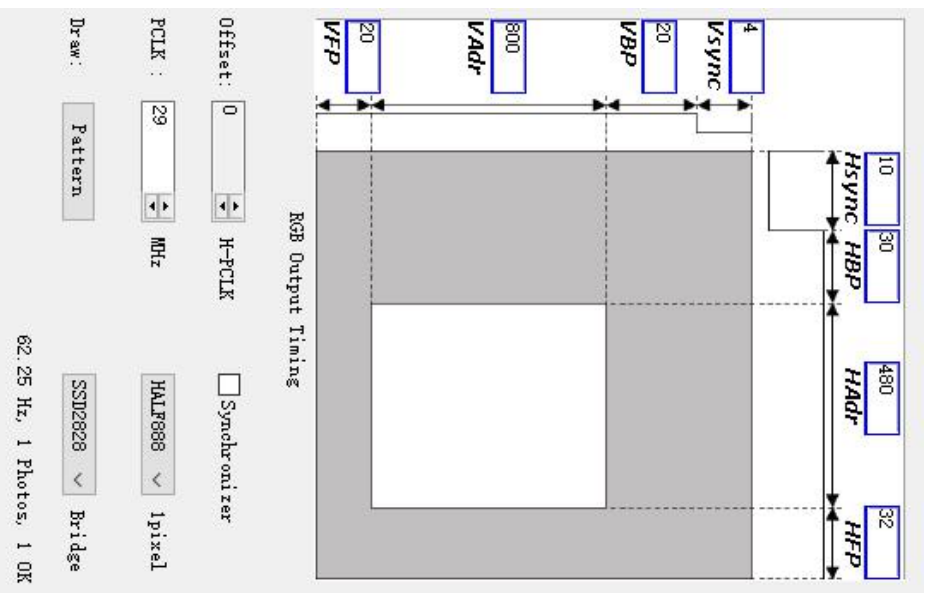
- ◆ The LCM use C-MOS LSI drivers, so customers are recommended that any unused input terminal would be connected to Vdd or Vss, do not input any signals before power is turn on, and ground you body, work/assembly area, assembly equipments to protect against static electricity.
- ◆ Remove the protective film slowly, keeping the removing direction approximate 30-degree not vertical from panel surface, if possible, under ESD control device like ion blower, and the humidity of working room should be kept over 50%RH to reduce the risk of static charge.
- ◆ Avoid the use work clothing made of synthetic fibers. We recommend cotton clothing or other conductivity-treated fibers.
- ◆ In handling the LCM, wear non-charged material gloves. And the conducting wrist to the earth and the conducting shoes to the earth are necessary



9. LCD display initialization code

/*

//Our test board parameters are for reference only



*/

//External system porch setting: 125>VBP \cong 10, VFP \cong 10

//Line Time:19uS

//Frame Rate:60Hz

Void Panel_initial_code(void)

{

SPI_CS=0;

SPI_RES=1;

Delay(100);

SPI_RES=0;

Delay(1000);

SPI_RES=1;

Delay(1000);



SPI_WriteComm(0xFF);
SPI_WriteData(0x77);
SPI_WriteData(0x01);
SPI_WriteData(0x00);
SPI_WriteData(0x00);
SPI_WriteData(0x13);

SPI_WriteComm(0xEF);
SPI_WriteData(0x08);

SPI_WriteComm(0xFF);
SPI_WriteData(0x77);
SPI_WriteData(0x01);
SPI_WriteData(0x00);
SPI_WriteData(0x00);
SPI_WriteData(0x10);

SPI_WriteComm(0xC0);
SPI_WriteData(0x63);
SPI_WriteData(0x00);

SPI_WriteComm(0xC1);
SPI_WriteData(0x0A);
SPI_WriteData(0x0C);

SPI_WriteComm(0xC2);
SPI_WriteData(0x31);
SPI_WriteData(0x08);

SPI_WriteComm(0xCC);
SPI_WriteData(0x18);

SPI_WriteComm(0xB0);
SPI_WriteData(0x00);
SPI_WriteData(0x08);
SPI_WriteData(0x10);
SPI_WriteData(0x0E);
SPI_WriteData(0x11);
SPI_WriteData(0x07);
SPI_WriteData(0x08);



```
SPI_WriteData(0x08);
SPI_WriteData(0x08);
SPI_WriteData(0x25);
SPI_WriteData(0x04);
SPI_WriteData(0x12);
SPI_WriteData(0x0F);
SPI_WriteData(0x2C);
SPI_WriteData(0x30);
SPI_WriteData(0x1F);

SPI_WriteComm(0xB1);
SPI_WriteData(0x00);
SPI_WriteData(0x11);
SPI_WriteData(0x18);
SPI_WriteData(0x0C);
SPI_WriteData(0x10);
SPI_WriteData(0x05);
SPI_WriteData(0x07);
SPI_WriteData(0x09);
SPI_WriteData(0x08);
SPI_WriteData(0x24);
SPI_WriteData(0x04);
SPI_WriteData(0x11);
SPI_WriteData(0x10);
SPI_WriteData(0x2B);
SPI_WriteData(0x30);
SPI_WriteData(0x1F);

SPI_WriteComm(0xFF);
SPI_WriteData(0x77);
SPI_WriteData(0x01);
SPI_WriteData(0x00);
SPI_WriteData(0x00);
SPI_WriteData(0x11);

SPI_WriteComm(0xB0);
SPI_WriteData(0x4D);

SPI_WriteComm(0xB1);
SPI_WriteData(0x39);
```



```
SPI_WriteComm(0xB2);
SPI_WriteData(0x87);

SPI_WriteComm(0xB3);
SPI_WriteData(0x80);

SPI_WriteComm(0xB5);
SPI_WriteData(0x47);

SPI_WriteComm(0xB7);
SPI_WriteData(0x8A);

SPI_WriteComm(0xB8);
SPI_WriteData(0x20);

SPI_WriteComm(0xB9);
SPI_WriteData(0x10);
SPI_WriteData(0x13);

SPI_WriteComm(0xC0);
SPI_WriteData(0x09);

SPI_WriteComm(0xC1);
SPI_WriteData(0x78);

SPI_WriteComm(0xC2);
SPI_WriteData(0x78);

SPI_WriteComm(0xD0);
SPI_WriteData(0x88);
Delaysms (120);
SPI_WriteComm(0xE0);
SPI_WriteData(0x00);
SPI_WriteData(0x00);
SPI_WriteData(0x02);

SPI_WriteComm(0xE1);
SPI_WriteData(0x04);
SPI_WriteData(0x00);
```




```
SPI_WriteComm(0xFF);
SPI_WriteData(0x77);
SPI_WriteData(0x01);
SPI_WriteData(0x00);
SPI_WriteData(0x00);
SPI_WriteData(0x13);

SPI_WriteComm(0xE8);
SPI_WriteData(0x00);
SPI_WriteData(0x0E);

SPI_WriteComm(0xFF);
SPI_WriteData(0x77);
SPI_WriteData(0x01);
SPI_WriteData(0x00);
SPI_WriteData(0x00);
SPI_WriteData(0x00);
SPI_WriteData(0x00);

SPI_WriteComm(0x11);
Delays (120);
SPI_WriteComm(0xFF);
SPI_WriteData(0x77);
SPI_WriteData(0x01);
SPI_WriteData(0x00);
SPI_WriteData(0x00);
SPI_WriteData(0x13);

SPI_WriteComm(0xE8);
SPI_WriteData(0x00);
SPI_WriteData(0x0C);
Delays (50);
SPI_WriteComm(0xE8);
SPI_WriteData(0x00);
SPI_WriteData(0x00);

SPI_WriteComm(0xFF);
SPI_WriteData(0x77);
SPI_WriteData(0x01);
SPI_WriteData(0x00);
SPI_WriteData(0x00);
```




```
SPI_WriteData(0x00);

SPI_WriteComm(0x29);
Delays (120);
}

Void Panel_SleepIn_Mode (void)
{
SPI_WriteComm(0x28);
Delays (120);
SPI_WriteComm(0x10);
Delays (120);
}

Void Panel_SleepOut_Mode (void)
{
SPI_WriteComm(0x11);
Delays (120);
SPI_WriteComm(0x29);
Delays (120);
}
```

----END----